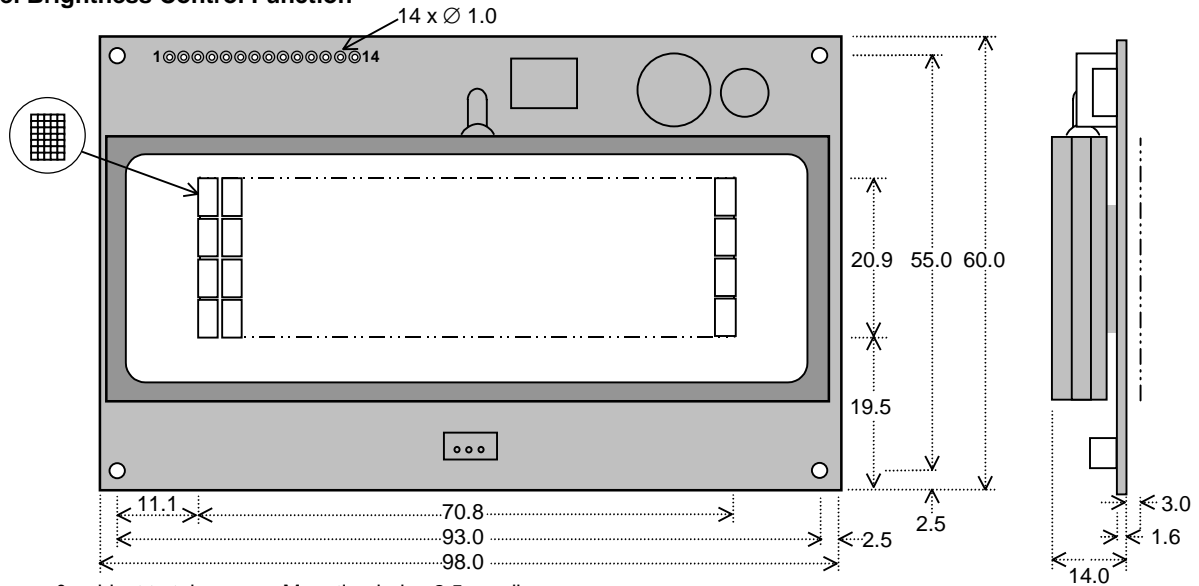


5X7 Dot Character VFD Module

CU20045SCP-B-U2J

- ❑ 4 X 20 Characters 5mm High
- ❑ LCD Compatible Design
- ❑ Operating Temp -20°C to +70°C
- ❑ Single 5V Supply with Power Save Mode
- ❑ High Brightness Blue Green Display
- ❑ Selectable 4/8 bit M68/i80 Interface
- ❑ ASCII + Extended Character Font
- ❑ 8 User Definable Character RAM
- ❑ 4 Level Brightness Control Function

The module includes the Vacuum Fluorescent Display glass, driver and micro-controller ICs with refresh RAM, character generator and interface logic. The high speed 8 bit parallel interface is 5V CMOS compatible suitable for connection to a host CPU bus which can be set to M68 or i80 series interface by a solder link on the module. Brightness control and power down functions are provided. A full data sheet is available.



Dimensions in mm & subject to tolerances. Mounting holes 2.5mm dia.

ELECTRICAL SPECIFICATION

Parameter	Symbol	Value	Condition
Power Supply Voltage	V _{CC}	5.0VDC +/- 5%	GND=0V
Power Supply Current	I _{CC}	275mADC typ.	V _{CC} =5V
Logic High Input	V _{IH}	2.2VDC min.	V _{CC} =5V
Logic Low Input	V _{IL}	0.6VDC max.	V _{CC} =5V
Logic High Output	V _{OH}	V _{CC} -0.5VDC min.	I _{OH} = -1.6mA
Logic Low Output	V _{OL}	0.4VDC max.	I _{OL} = 1.6mA

The power on rise time should be less than 50ms. The inrush current at power on can be 2 x I_{CC}. The I_{CC} current is 10mA maximum while in power down mode.

OPTICAL and ENVIRONMENTAL SPECIFICATIONS

Parameter	Value
Character Size/Pitch (XxY mm)	2.4 x 4.7/3.6 x 5.4
Dot Size/Pitch (XxY mm)	0.4 x 0.5/0.5 x 0.7
Luminance	700 cd/m ² (204 fL) Typ.
Colour of Illumination	Blue-Green (Filter for more colours)
Operating Temperature	-20°C to +70°C
Storage Temperature	-40°C to +85°C
Operating Humidity (non condensing)	20 to 80% RH @ 25°C

SOFTWARE COMMANDS

Instruction	R/W	RS	D0-D7
Clear Display	L	L	01H
Cursor Return Home	L	L	02H-03H
Entry Mode Set	L	L	04H-07H
Display ON/OFF	L	L	08H-0FH
Cursor/Display Shift	L	L	10H-1FH
Function Set	L	L	20H-3FH
Brightness Set	L	H	00H-03H
Set CG RAM Addr.	L	L	40H-7FH
Set DD RAM Addr.	L	L	80H-E7H
Read BUSY/Addr.	H	L	00H-FFH
Write Data to RAM	L	H	00H-FFH
Read Data from RAM	H	H	00H-FFH

PIN CONNECTIONS

Pin	Sig	Pin	Sig
1	GND	2	V _{CC}
3	(Fnc)	4	RS
5	R/W #	6	E #
7	D0	8	D1
9	D2	10	D3
11	D4	12	D5
13	D6	14	D7

TIMING PARAMETERS (min)

(E)nable Cycle Time	666ns
(E)nable Pulse Width	300ns
Hold after (E)nable	10ns

CHARACTER FONT

H _x	00	10	20	30	40	50	60	70	80	90	A0	B0	C0	D0	E0	F0
00			0	1	2	3	4	5	6	7	8	9	A	B	C	D
01		!	@"	#	\$	%	&	'	()	*	+	,	-	.	:
02		"	#	\$	%	&	'	()	*	+	,	-	.	:	;
03		#	\$	%	&	'	()	*	+	,	-	.	:	;	<
04		\$	%	&	'	()	*	+	,	-	.	:	;	<	=
05		%	&	'	()	*	+	,	-	.	:	;	<	=	?
06		&	'	()	*	+	,	-	.	:	;	<	=	?	@
07		'	()	*	+	,	-	.	:	;	<	=	?	@	A
08		()	*	+	,	-	.	:	;	<	=	?	@	A	B
09)	*	+	,	-	.	:	;	<	=	?	@	A	B	C
0A		*	+	,	-	.	:	;	<	=	?	@	A	B	C	D
0B		+	,	-	.	:	;	<	=	?	@	A	B	C	D	E
0C		,	-	.	:	;	<	=	?	@	A	B	C	D	E	F
0D		-	.	:	;	<	=	?	@	A	B	C	D	E	F	G
0E		.	:	;	<	=	?	@	A	B	C	D	E	F	G	H
0F		:	;	<	=	?	@	A	B	C	D	E	F	G	H	I

JUMPER LINKS

Interface M68/i80
When jumper link JP4 is soldered, these inputs change to i80 series CPU control lines.
Pin 5 = /WR Pin 6 = /RD

Pin 3 (Fnc) Input

This is normally open circuit. If pads JP3.1 and JP3.2 are linked. Pin 3 = /Reset.

CONTACT

Noritake Sales Office Tel Nos
Nagoya Japan: +81 (0)52-561-9867
Canada: +1-416-291-2946
Chicago USA: +1-847-439-9020
Munich (D): +49 (0)89-3214-290
Itron UK: +44 (0)1493 601144
Rest Europe: +49 (0)61-0520-9220
www.noritake-elec.com

Subject to change without notice.
IUK Doc Ref: 01089 Iss:3 2OCT00